



*Canopus* - 940

## PRODUCT FEATURES :

- Light weight seat.
- Seat design engineered for comfort.
- Seat assembly meets AIS-023 Test Standards/Certified.
- Non metallic parts conform to FR spec IS 15061 (Type 2).
- Rugged retractable armrest with ease of operation.
- Injection molded parts for aesthetic appeal.
- Multiple optional features.
- Customer choices on Upholstery

## OPTIONAL ACCESSORIES (ADDITIONAL COST) :

- 2P/3P seat belt – Static/Retractable
- Calf Support

## STANDARD ACCESSORIES :

- Back cover
- Grab Handle
- Bottle holder
- Magazine Pouch
- Aisle side cover
- Fixed footrest with sleeve

## SEAT FITMENT GUIDELINES :

- Use C-Section for seat mounting (25x75x25x2.5mm)
- Use M10x45(Grade-8.8) for mounting a seat leg with Torque -  $50 \pm 2$  NM

## WARRANTY POLICY:

The product covers warranty for manufacturing defects, pre mature failures only. Product abuse & misuse does not warrant any free replacement.

## PERIODIC MAINTANENCE:

Upholstery- Periodic cleaning for dust recommend with vacuum cleaner. Water, liquid cleaners and stain removers should not be used on seats. Dry clean upholstery covers separately.

## GAS SPRING:

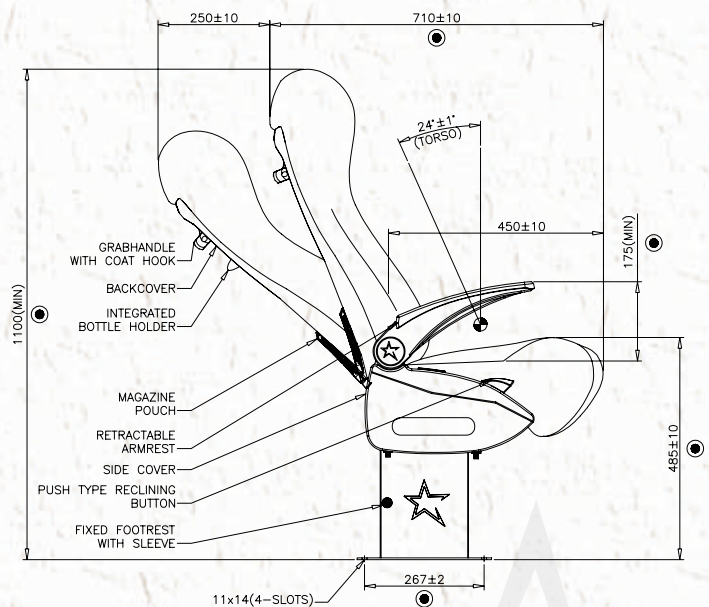
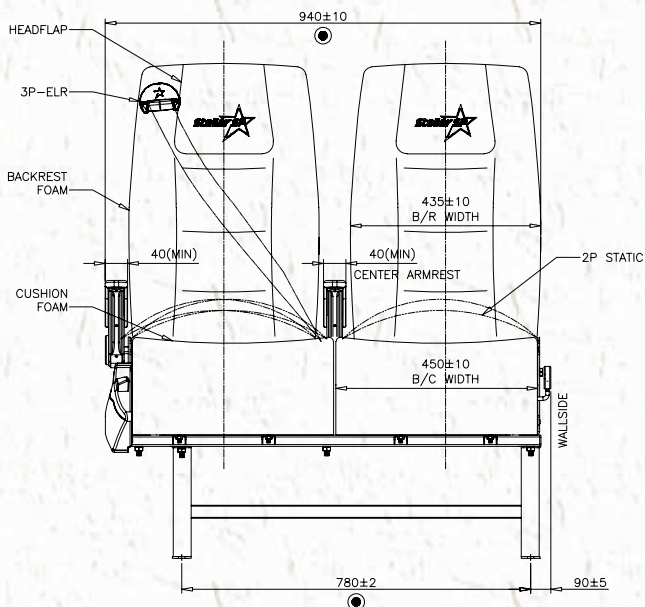
Check the reclining operation and function of mechanism on periodic basis. Replace gas spring by trained technician if leakage / failure observed.

## FIXED FOOTREST:

Check the free play for ease of use. Periodically set the recommended tightening torque of  $30 \pm 2$  NM with 13mm flat/ring spanner

## ARMREST:

Check the free play for ease of use. Periodically set the recommended tightening torque of  $10 \pm 2$  NM with 10mm flat/ring spanner



SEATING PRODUCTS

Registered Office & Factory Address

**StellarSP Pvt. Ltd.**

Survey No.449, Anekal - Samandur Road, Samandur Village,  
Anekal Taluk, Bengaluru - 562106, Karnataka, India  
Tel: Factory + 91 80 29909993, Sales: +91 80 22210010  
Mobile: Marketing + 91 91410 45275, Sales +91 91410 45276  
Engineering +91 91410 45280, Purchase +91 91410 45288  
Email: [contact@stellarsp.com](mailto:contact@stellarsp.com), [sales@stellarsp.com](mailto:sales@stellarsp.com)  
[www.stellarsp.com](http://www.stellarsp.com)

## SEAT DIMENSIONAL SPECIFICATION

Sl. No	Description	Seat Size	
		MM	INCH
1	1S	$470 \pm 10$	19
2	2S	$940 \pm 10$	37
3	5S	$2440 \pm 10$	96