



Fx_Maxima

PRODUCT FEATURES :

- Light weight seat.
- Seat design engineered for comfort.
- Seat assembly meets AIS-023 Test Standards/Certified.
- Non metallic parts conform to FR spec IS 15061(Type 2).
- Rugged retractable armrest with ease of operation.
- Injection molded parts for aesthetic appeal.
- Multiple optional features.
- Customer choices on Upholstery

OPTIONAL ACCESSORIES (ADDITIONAL COST) :

- 2P seat belt – Static/Retractable
- Bottle Holder
- Magazine Pouch

STANDARD ACCESSORIES :

- Back cover
- Grab Handle
- Aisle side cover
- Fixed footrest with sleeve

SEAT FITMENT GUIDELINES :

- Use C-Section for seat mounting (25x75x25x2.5mm)
- Use M10x45(Grade-8.8) for mounting a seat leg with Torque - 50 ± 2 NM

WARRANTY POLICY:

The product covers warranty for manufacturing defects, pre mature failures only. Product abuse & misuse does not warrant any free replacement.

PERIODIC MAINTENANCE:

Upholstery- Periodic cleaning for dust recommend with vacuum cleaner. Water, liquid cleaners and stain removers should not be used on seats. Dry clean upholstery covers separately.

GAS SPRING:

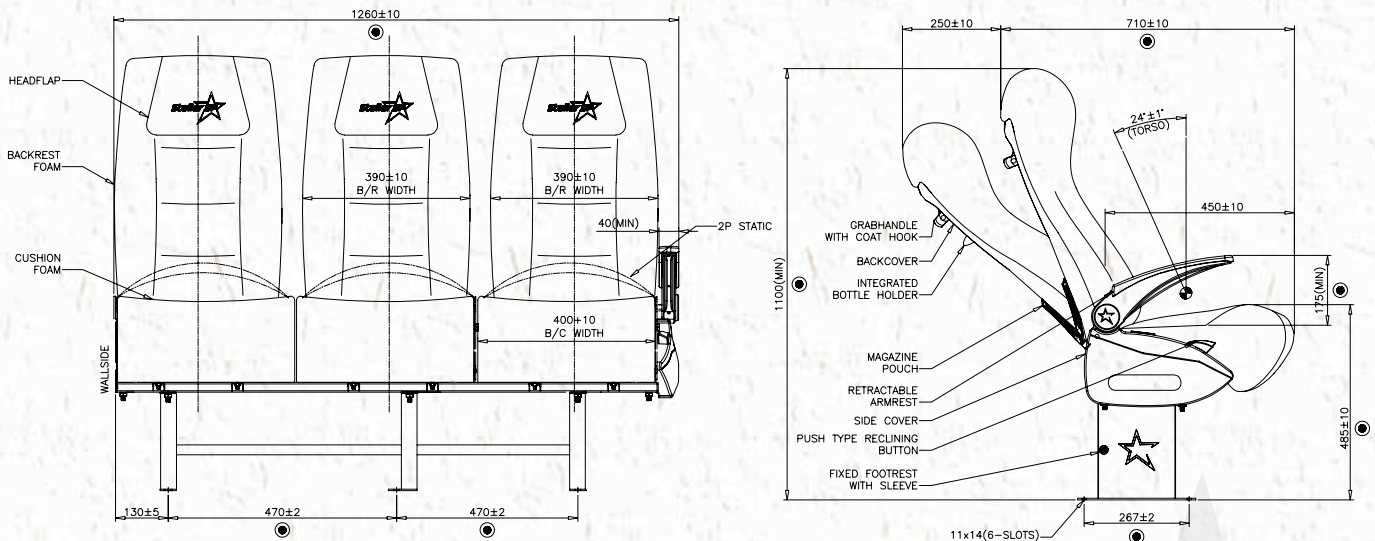
Check the reclining operation and function of mechanism on periodic basis. Replace gas spring by trained technician if leakage / failure observed.

FIXED FOOTREST:

Check the free play for ease of use. Periodically set the recommended tightening torque of 30 ± 2 NM with 13mm flat/ring spanner

ARMREST:

Check the free play for ease of use. Periodically set the recommended tightening torque of 10 ± 2 NM with 10mm flat/ring spanner



Registered Office & Factory Address

StellarSP Pvt. Ltd.

Survey No.449, Anekal - Samandur Road, Samandur Village,
Anekal Taluk, Bengaluru - 562106, Karnataka, India
Tel: Factory + 91 80 29909993, Sales: +91 80 22210010
Mobile: Marketing + 91 91410 45275, Sales +91 91410 45276
Engineering +91 91410 45280, Purchase +91 91410 45288
Email: contact@stellarsp.com, sales@stellarsp.com
www.stellarsp.com

SEAT DIMENSIONAL SPECIFICATION

Sl. No	Description	Seat Size	
		MM	INCH
1	1S	470±10	19
2	2S	860±10	34
3	3S	1260±10	50
4	5S	-	-